

SMEC MCV 6700



Tipo: Centro di lavoro verticale Verticale

Brand: SMEC

Modello: MCV 6700

C.N.C: Fanuc 0iTF PLUS

Informazioni tecniche

TAVOLA

Dimensioni tavola: 1700x660 mm

Max peso ammesso: 1300 kg

CAPACITÀ

Corsa asse X longitudinale: 1600 mm

Corsa asse Y trasversale: 670 mm

Corsa asse Z verticale: 520 mm

MANDRINO

Attacco mandrino: 40 ISO

Velocità di rotazione: 12000 giri/min.

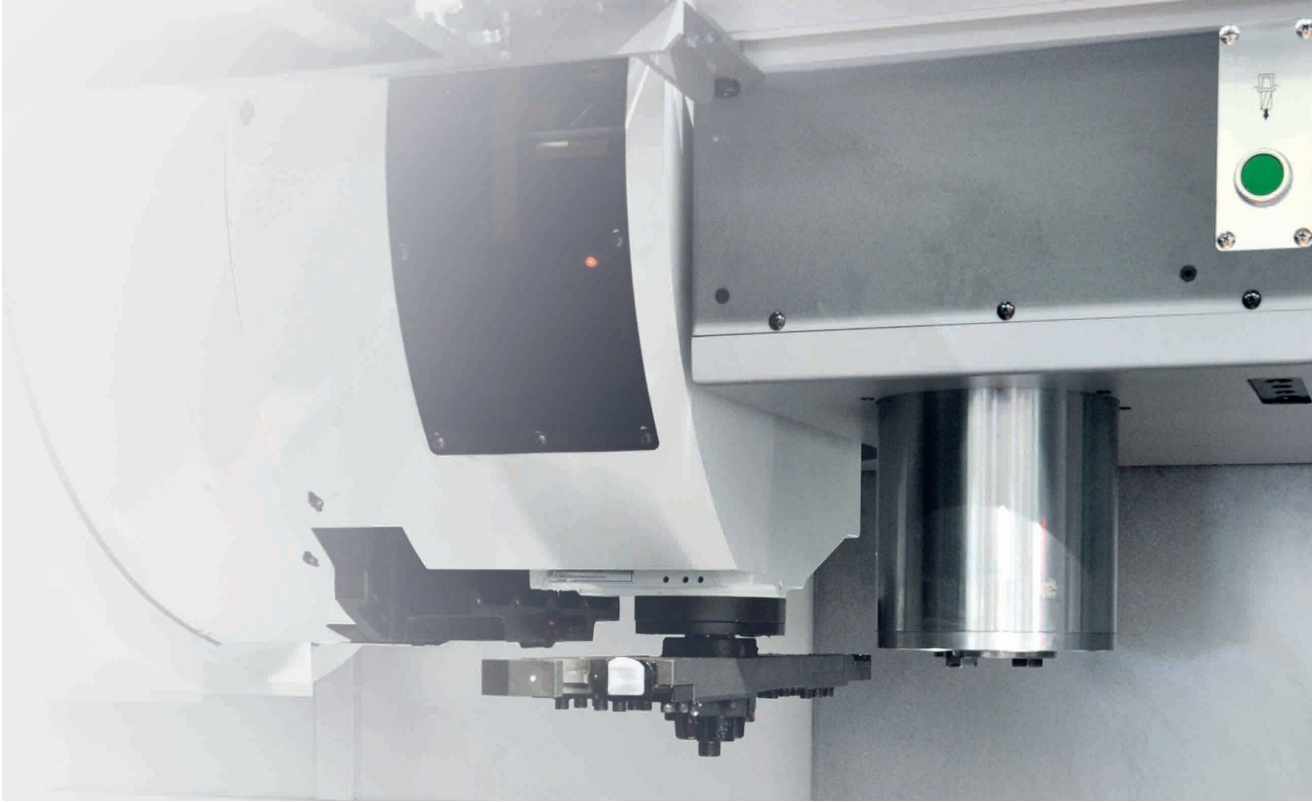
Potenza motore: 11 - 15 Kw

AVANZAMENTI

Rapido asse X,Y,Z: 36000/36000/30000 mm/min

MAGAZZINO UTENSILI

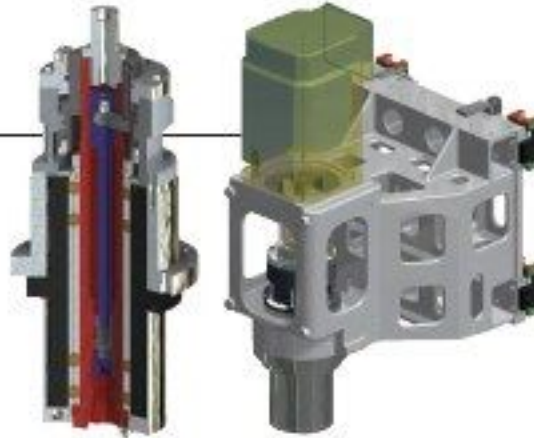
Stazioni portautensili: 30 nr.



Direct head

Spindle Speed
12,000 rpm

Spindle Motor
11/15/18.5 kW



Spindle is sustained by 4 rows P4 speedy angular ball bearing reducing temperature increasing to realize high speed and precision machining.

By adopting Direct Drive type spindle minimize vibration to excellent machining for nonmetal surface finishing.

Motor direct type is connected by coupling without extra power transmission.

Environment friendly chip disposal

By additional coil conveyor 2 sets coolant and chip disposal is improved, realizing perfect chip disposal through process in order

Bed Coolant Pipe(STD)

